

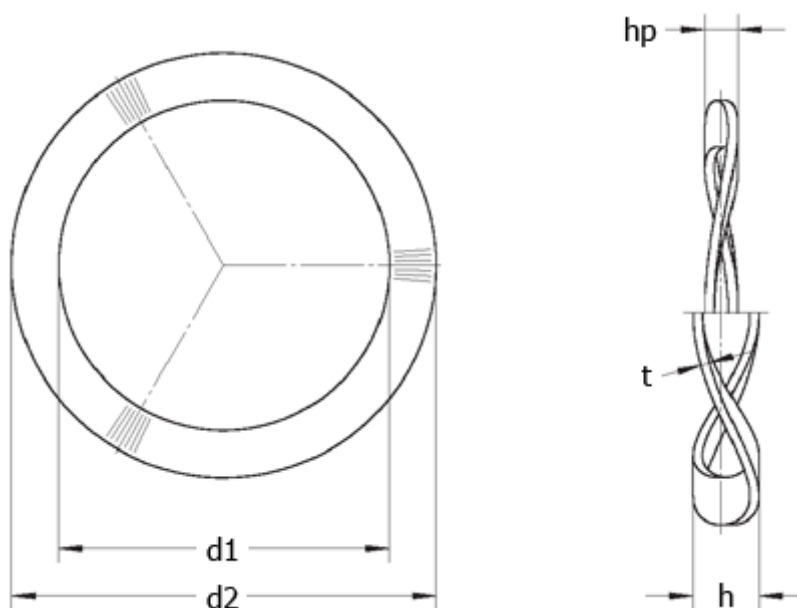
# Data Sheet



Article number: 22014012

Description: Wave washer L&M 119x109x0,6 K2  
for bearing : 6213, 6311, 6409

## Measures



$d1$  = 107.00

$d2$  = 117.00

F (N) at  $hp$  = 520.0

For bearing = 6213, 6311, 6409

$h$  = 4.7

$hp$  = 2.05

$t$  = 0.60

Waves = 7

Weight (kg) / 100 pcs = 0.847